

FCNA10 series

Mini LVDT displacement sensors

ABEK FCNA10 series mini LVDT displacement sensors are suitable for installation in a variety of confined spaces, and are specifically designed for use in complex and harsh environments.

The lightweight core makes these mini LVDTs ideal for high response dynamic metering.

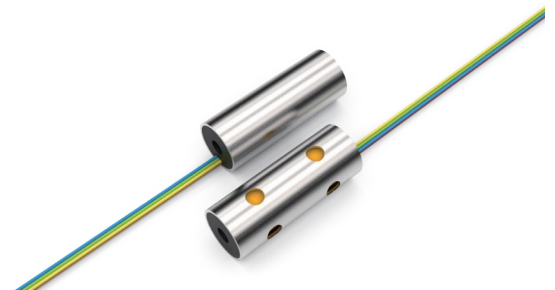
The FCNA10 displacement sensors have excellent performance such as high resolution, good repeatability, low impedance, high sensitivity, good linearity, environmental adaptability and reliability. The maximum linearity error does not exceed $\pm 0.25\%$ FS.

The FCNA19 series is available in diverse specifications, and in addition to the options already provided in the selection chart, can be customized to meet customer requirements, which including thread size, spring-loaded, wire outlet or other mechanical construction needs, and high-pressure resistant, high-temperature resistant, radiation resistant or other adaptive designs for special applications.

In order to facilitate the actual application of the customer, we also supply accessories to match the sensor, i.e. the related mounting fixture, signal processing equipment. Please contact us for technical consultation or customization requests.

Standards and Documentation

| | |
|---------------|---|
| GJB 150A-2009 | Laboratory enviro methods for military material |
| JJF 1305-2011 | Calibration specification for linear displacement sensors |
| GJB 8350-2015 | General specification for linear displacement sensors |



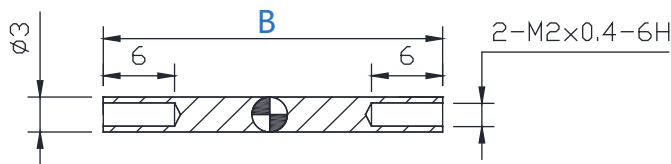
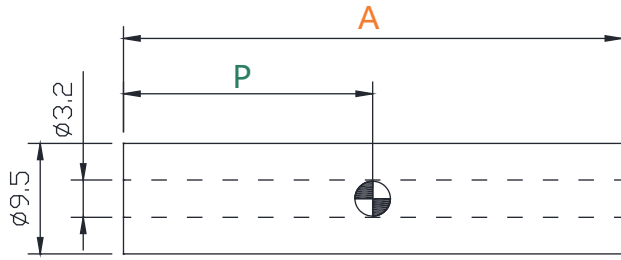
Applications

- Machine&tool positioning Measurement
- Valve position measurement
- Material tensiometer
- Automatic production line
- Corrosive environments

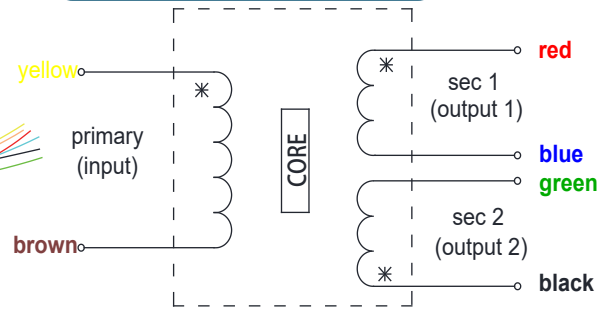
Features

- Input voltage: 3.0V AC rms(rated)
- Range: $\pm 0.6\text{mm} \sim \pm 50\text{mm}$
- Linearity: $\leq \pm 0.25\%$ FS
- Repeatability: $\leq 0.01\%$ of FSO
- Hysteresis error: $\leq 0.01\%$ of FSO
- Operating temp.: -55°C to $+105^{\circ}\text{C}$
- Vibration resistance: 20g 2000Hz

● Dimensions



● Wiring Information



| Model | | FCNA10-00125 | FCNA10-00325 | FCNA10-00525 | FCNA10-01325 | FCNA10-02525 | FCNA10-05025 | FCNA10-10025 |
|-------------------|---------|--------------|--------------|--------------|--------------|--------------|--------------|--------------|
| Ranges | mm | ±0.63 | ±1.25 | ±2.5 | ±6.3 | ±12.5 | ±25 | ±50 |
| | mm | 0~1.26 | 0~2.5 | 0~5 | 0~12.6 | 0~25 | 0~50 | 0~100 |
| Dimension "A" | mm | 12.7 | 19.1 | 25.4 | 44.5 | 84 | 142.2 | 252.5 |
| Dimension "B" | mm | 10 | 10.2 | 16 | 28.6 | 50 | 76.2 | 134.6 |
| Dimension "P" | mm | 6.35 | 9.55 | 12.7 | 22.5 | 42 | 71.1 | 126.25 |
| Sensitivity | mV/V/mm | 130 | 63 | 63 | 87 | 67 | 26 | 20 |
| Primary impedance | Ω | ≥90 | ≥340 | ≥340 | ≥500 | ≥435 | ≥780 | ≥540 |

● Selection Guide

| Range | Part No. | Model |
|--------------|-----------|---------------|
| ±0.63mm LVDT | 0356-0127 | FCNA10-000125 |
| ±1.5mm LVDT | 0356-0126 | FCNA10-000325 |
| ±2.5mm LVDT | 0356-0005 | FCNA10-000525 |
| ±6.5mm LVDT | 0356-0006 | FCNA10-001325 |

| Range | Part No. | Model |
|--------------|-----------|---------------|
| ±12.5mm LVDT | 0356-0007 | FCNA10-002525 |
| ±25mm LVDT | 0356-0008 | FCNA10-005025 |
| ±50mm LVDT | 0356-0009 | FCNA10-010025 |

● Contact us

Contact us for technical consultation or customization requests.

TEL: 400-013-6886

TEL: 010-51660768

FAX: 010-80766992

EMAIL: info@abeksensors.com

WEB: www.bjabek.com