

FHPA26 series

Submersible high-pressure AC output LVDT

Applications

Underwater position feedback
Underwater robot
Pressure testing machine
Hydraulic Cylinder

Features

Range: 0 ~300mm
Excitation voltage: 1-12V AC
Excitation frequency: 2.5kHz
Linearity: $\pm 0.25\%$ FS
Working pressure: 35MPa



The FHPA26 series of AC output LVDT displacement sensors are designed for high reliability requiring extremely high pressure applications while operating in the harsh environments required for deep sea applications. These sensors are made of special high-pressure materials and can operate at pressures up to 350 Bar.

The sensors offer excellent resistance to high pressure under seawater and are available in customized ranges up to 300mm.

When equipment is submerged in the ocean indefinitely, the reliability of the instrument is critical. The FHPA26 series of LVDT displacement sensors are designed with wetpluggable underwater connectors and are protected up to IP69K.

ABEK SENSORS has extensive experience in the design and manufacture of LVDTs and can customize the mechanical and electrical design of the sensors to meet the customer's requirements.

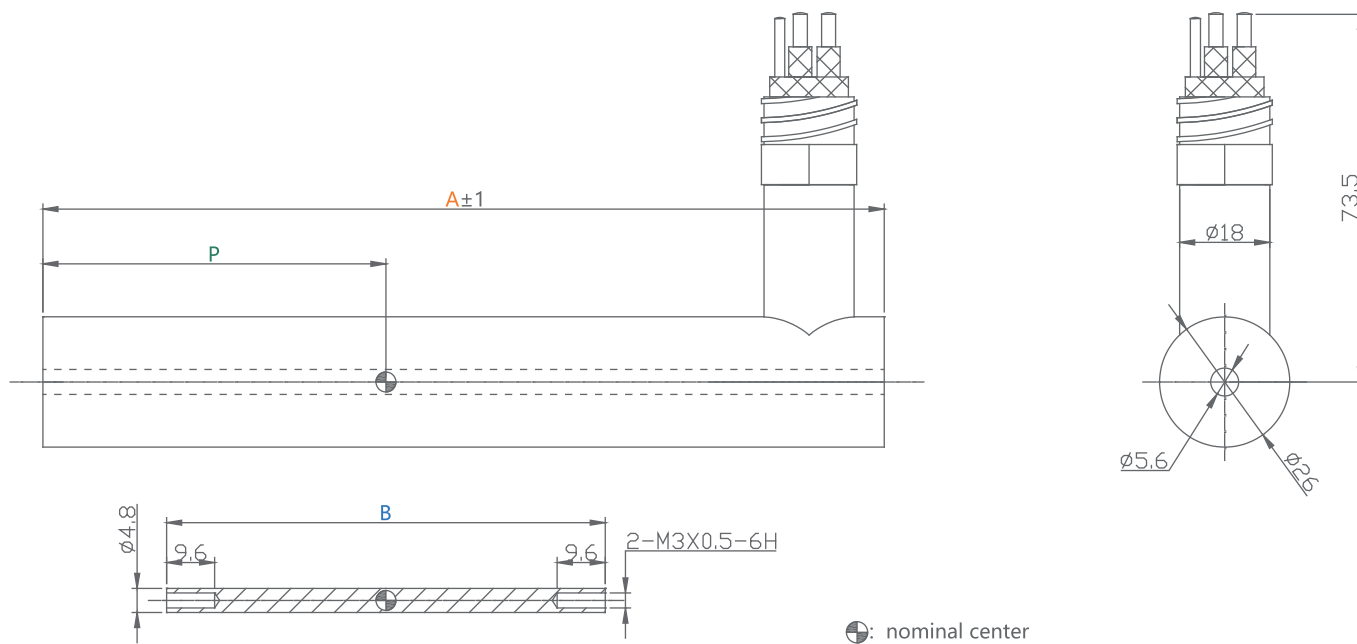
Standards and Documentation

GJB 150A-2009	Laboratory enviro methods for military material
JJF 1305-2011	Calibration specification for linear displacement sensors
GJB 8350-2015	General specification for linear displacement sensors

General Specifications

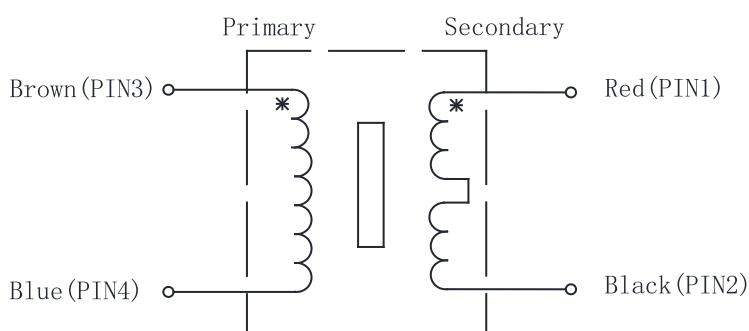
Parameters	
Range	0-150mm; 300mm (customize)
Input voltage	1-12VAC, 3V (rated)
Input frequency	400-10kHz , 2.5kHz (rated)
Linearity error	< $\pm 0.25\%$ of FSO
Repeatability error	<0.01% of FSO
Hysteresis error	<0.01% of FSO
Operating temperature	-40°C to +85°C
Thermal coefficient	-0.02%/°C (rated)

Dimensions



Parameters	Model →	FHPA26-0010	FHPA26-0025	FHPA26-0050	FHPA26-0100	FHPA26-0150
Range	mm	±5	±12.5	±25	±50	±75
Dimension "A"	mm	102	168	196	288	367
Dimension "B"	mm	42	87.6	87.6	134.6	157.5
Dimension "P"	mm	35.5	68.5	82.5	128.5	168
Sensitivity	mV/V/mm	80	25	24	15	9.8
Primary impedance	Ω	≥1400	≥1200	≥1250	≥2150	≥2150

Wiring Information



Selection Guide

Range	Model	Part No.
±5mm LVDT	FHPA26-0010	0356-0282
±12.5mm LVDT	FHPA26-0025	0356-0283
±25mm LVDT	FHPA26-0050	0356-0284
±50mm LVDT	FHPA26-0100	0356-0285
±75mm LVDT	FHPA26-0150	0356-0286
±100mm LVDT	FHPA26-0200	0356-0287
±150mm LVDT	FHPA26-0300	0356-0288

Accessories

Part No.	Part name	Specification	Description
0356-HG4-001	LVDT Cable Assemblies	HGC-4-1M	Submersible LVDT Cable Assemblies , length 1m
0356-HG4-002	LVDT Cable Assemblies	HGC-4-2M	Submersible LVDT Cable Assemblies , length 2m
0356-HG4-003	LVDT Cable Assemblies	HGC-4-5M	Submersible LVDT Cable Assemblies , length 5m
0355-0004	LVDT Mounting Blocks	MTD-26	Mounting bracket for 26mm LVDT

Contact us

Contact us for technical consultation or customization requests.

TEL: 400-013-6886

TEL: 010-51660768

FAX: 010-80766992

EMAIL: info@abeksensors.com

<https://bjabek.com/en/>

ABEK SENSORS is a registered trademark. We reserve the right to change the specifications of our products.

Copyright ©2017 -ABEK SENSORS