

# FHPV26

## Submersible high-pressure DC output LVDT

### Applications

Underwater position feedback

Underwater robot

Offshore drilling platforms

Throttle

Strain gauges

### Features

Range: 0~300mm

Working pressure: 35MPa

Linearity: +0.25% FSO

Two-wire 4-20mA output

High Voltage Docking Deep Sea Connectors



When equipment is submerged in the ocean for an indefinite period of time, the reliability of the instrument is critical. The FHPV26 series DC-output LVDT displacement sensors are specifically designed for high-pressure deep-sea environments. They ensure repeatability even with variations in pressure or temperature. This series of sensors is constructed from 316L stainless steel, capable of withstanding pressures greater than 35MPa, and can also be customized with C276 material.

FHPV26 series of LVDT displacement sensors are designed with wet-pluggable underwater connectors with IP69K protection. Standard measuring range 0 to 150mm, can be customized up to 300mm.

The FHPV26 series LVDT also addresses the challenge of long-distance signal transmission to the surface. To minimize noise over extended signal cables, it utilizes a two-wire 4-20mA loop-powered signal system.

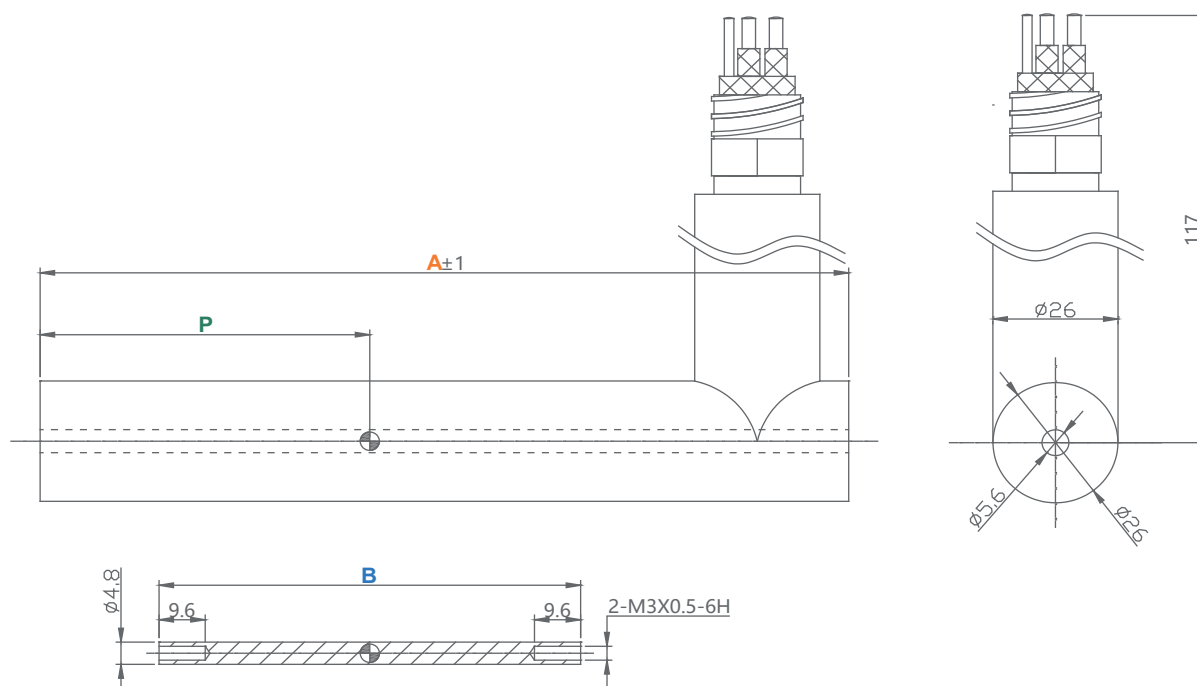
Typical applications include submarine pipeline monitoring, drilling derrick monitoring, SV rudder position feedback, and mooring system etc.

ABEK Sensors has rich experience in the design and manufacture of LVDT sensors, and can customize the mechanical and electrical design of sensors to meet the user's application requirements.

## General Specifications

Parameters	Specifications
Range :	0-150mm; Max 300mm (customize)
Input voltage.	10-28V DC, 24V (rated)
Working pressure:	35 MPa
Maximum pressure.	51MPa
Operating temperature.	-30°C至+80°C
Repeatability error:	<0.01% of FSO
Vibration tolerance:	20g to 2kHz
Thermal coefficient:	-0.02%/°C (rated)

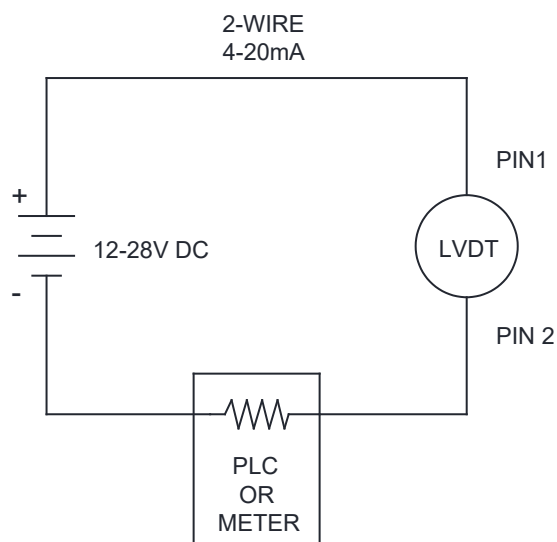
## Dimensions



⊕ : nominal center

Parameters	Model →	FHPV26-4010	FHPV26-4025	FHPV26-4050	FHPV26-4100	FHPV26-4150
Range	mm	0~10	0~25	0~50	0~100	0~150
Dimension "A"	mm	102	168	196	288	367
Dimension "B"	mm	42	87.6	87.6	134.6	157.5
Dimension "P"	mm	35.5	68.5	82.5	128.5	168

## Wiring Information



## Selection Guide

Range	Model	Part No.
0~10mm LVDT	FHPV26-4010	0356-0530
0~25mm LVDT	FHPV26-4025	0356-0531
0~50mm LVDT	FHPV26-4050	0356-0532
0~100mm LVDT	FHPV26-4100	0356-0533
0~150mm LVDT	FHPV26-4150	0356-0534
0~200mm LVDT	FHPV26-4200	0356-0535
0~300mm LVDT	FHPV26-4300	0356-0493

## Accessories

Part No.	Part name	Specification	Description
0356-HG4-001	LVDT Cable Assemblies	HGC-4-1M	Submersible LVDT Cable Assemblies , length 1m
0356-HG4-002	LVDT Cable Assemblies	HGC-4-2M	Submersible LVDT Cable Assemblies , length 2m
0356-HG4-003	LVDT Cable Assemblies	HGC-4-5M	Submersible LVDT Cable Assemblies , length 5m
0355-0004	LVDT Mounting Blocks	MTD-26	Mounting bracket for 26mm LVDT

## Contact us

Contact us for technical consultation or customization requests.

Tel: 400-013-6886

Tel: 010-51660768

Fax: 010-80766992

Email: [info@abeksensors.com](mailto:info@abeksensors.com)

Web: [www.bjabek.com/en](http://www.bjabek.com/en)

ABEK SENSORS is a registered trademark. We reserve the right to change the specifications of our products.

Copyright ©2017 -ABEK SENSORS