

FLAR19

Anti Explosion LVDT

Applications:

Turbine Servo Control
Petrochemical
Nuclear
Power Generation
Valve Position Feedback
Hazardous environments

Features:

Ex ia IIC T6 Ga
Range: $\pm 5\text{mm}$ to $\pm 250\text{mm}$
Max operating temp. 150°C
Overall stainless steel
Threaded output connector



The FLAR19 series are high reliability 19mm diameter LVDT displacement sensors. The overall structure of this series is made of stainless steel and the through-hole design allows the LVDT core to be connected at both ends for better core guidance and easier cleaning of dirt inside the sensor.

The FLAR19 series LVDTs have an output connector of M20*1.5, which is convenient for users to connect to an explosion-proof junction box or hard/flexible tube.

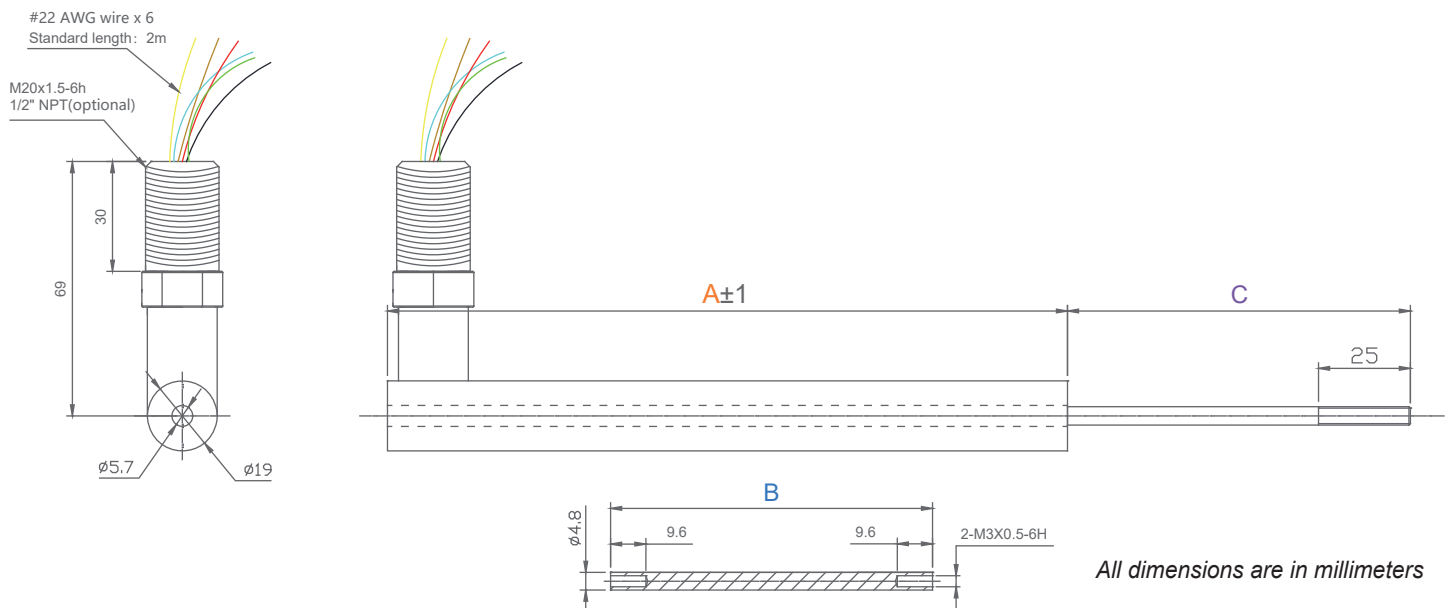
The main advantage of this series is that the sum of the secondary voltages is constant and independent of the core position, allowing this series of LVDTs to be matched with all LVDT signal conditioners.

The FLAR19 Series LVDTs provide reliable, non-contact measurement feedback in harsh environments such as steam turbines for fuel valve position feedback, blade servo control, and engine case expansion measurement. The high temperature resistance of this series also satisfies other high-risk measurement applications.

General Specifications

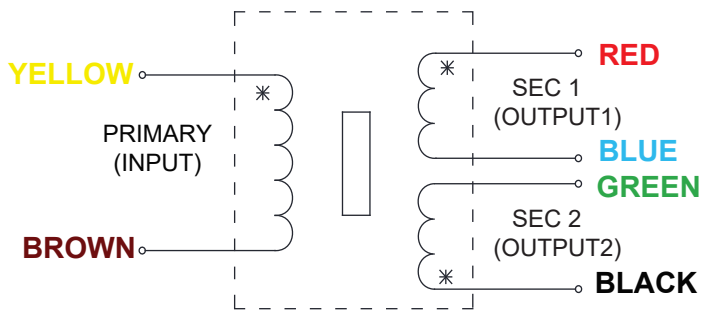
Parameters	Specifications
Input voltage:	1-9V AC, 3V rms (Rated Value)
Input frequency :	2.5 kHz (Rated Value)
Linearity error :	<±0.25% (Full stroke range)
Repeatability error:	<0.01% (Full stroke range)
Hysteresis error	<0.01% (Full stroke range)
Operating temperature :	-55°C to +105°C
Thermal coefficient:	-0.02%/°C (Rated Value)
Vibration resistance :	20g, 2 kHz

Dimensions



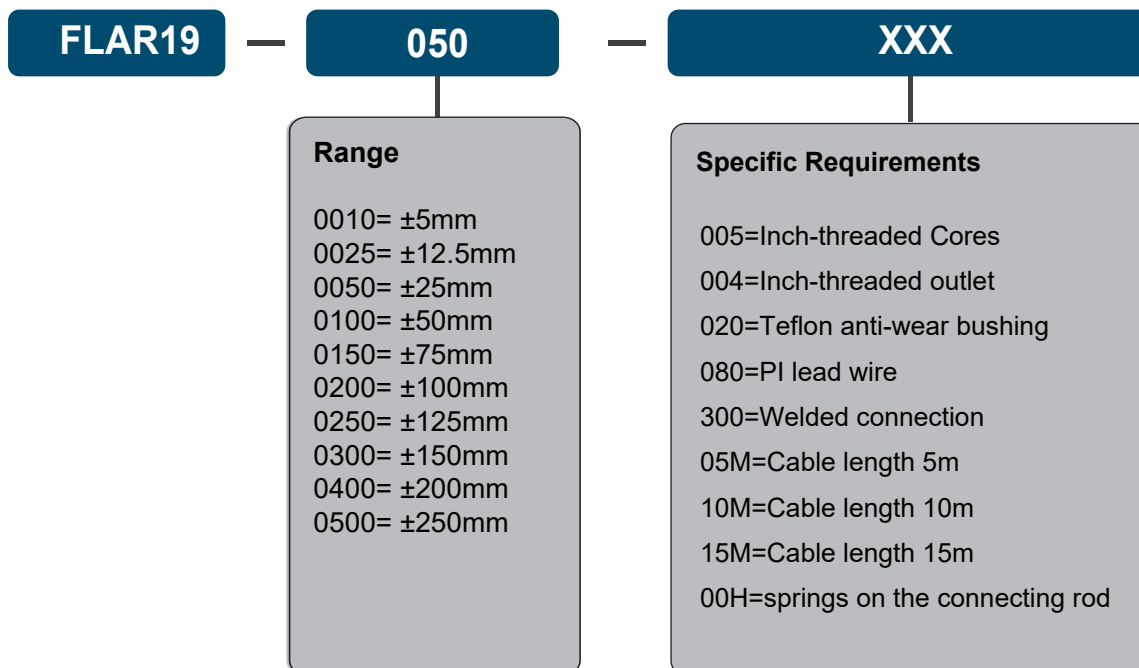
Parameter	Range Code	0010	0025	0050	0100	0150	0200	0250	0300	0400	0500
Range	mm	±5	±12.5	±25	±50	±75	±100	±125	±150	±200	±250
Body Length "A"	mm	85	148	185	277.1	346	411	474	501	626	804
Core Length "B"	mm	42	87.6	87.6	134.6	157.4	157.4	157.4	157.4	178	241
Core Position "C"	mm	37.5	67	93	126.5	164	200	231	243	304	393
Sensitivity	mV/V/mm	80	24	13.4	7.9	8.3	6.7	4.3	3.9	4.3	3
Primary impedance	Ω	≥880	≥800	≥780	≥580	≥550	≥520	≥540	≥450	≥770	≥600

Wiring Information



Connect blue & green for differential output.

Ordering Guide



Contact us

Contact us for technical consultation or customization requests.

Tel: 400-013-6886

Tel: 010-51660768

Fax: 010-80766992

Email: info@abeksensors.com

Website: www.bjabek.com

ABEK SENSORS is a registered trademark.
All specifications subject to change without notice.
Copyright ©2017 -ABEK SENSORS