

FCTA15 series

High temperature & Low temperature | vacuum LVDT

Features:

Range: $\pm 5\text{mm}$ to $\pm 25\text{mm}$

Working temperature: -200°C to $+400^{\circ}\text{C}$

Working pressure: 20MPa

Linearity: $\pm 0.5\%$ or $\pm 1\%$

Applications:

High temperature tester

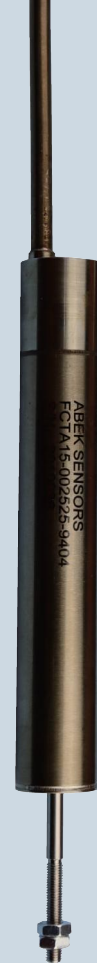
Valve position feedback

Reactor

Engine tail nozzle

Cryogenic superconductor

Harsh environments



The FCTA15 series of AC high temperature LVDT position sensors utilize a non-contact design for long term reliability. Linear motion of the core rod produces a linear output signal that moves \pm travel around the calibrated zero position. Non-contact electromagnetic coupling gives the product unlimited resolution.

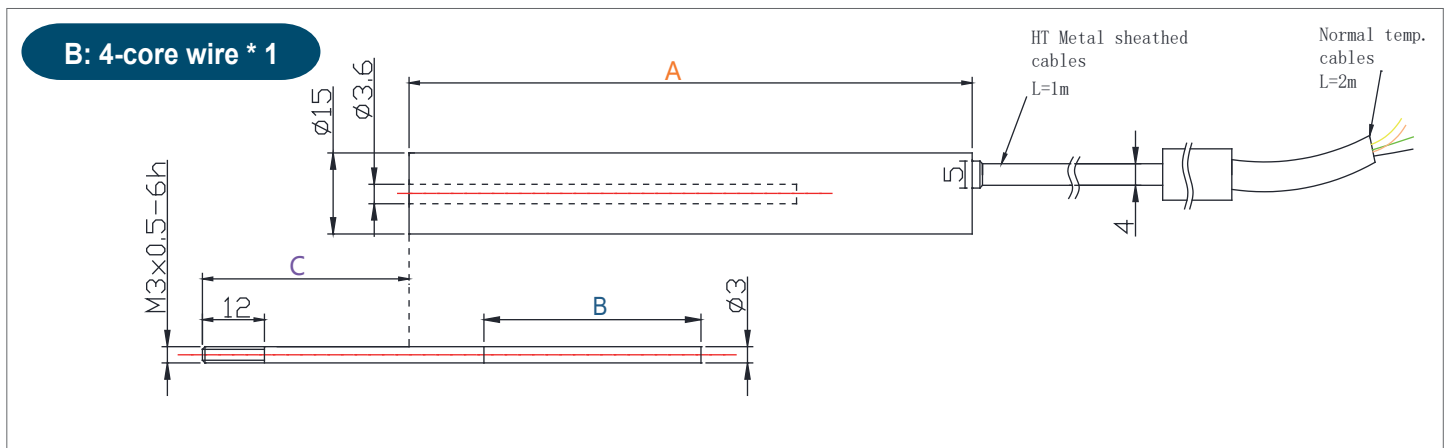
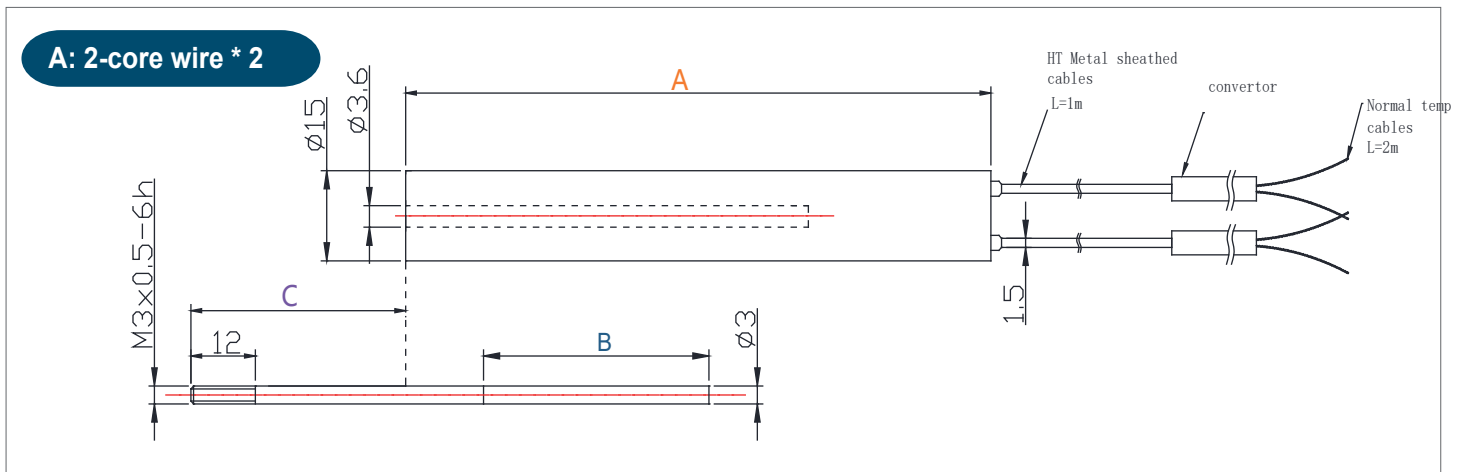
FCTA15 series LVDT position sensor belongs to linear variable differential transformer, which is an iron core movable transformer. This series can work at 400°C for a long time and 450°C for a short time. The core and coil parts are separated from each other, which is characterized by compact size, good repeatability and high reliability. Due to the frictionless structural design of the core and coil parts, it has a theoretically unlimited mechanical life.

In addition to its excellent high temperature resistance, the FCTA15 LVDT sensor can also withstand deep low temperatures up to 10K.

General Specifications

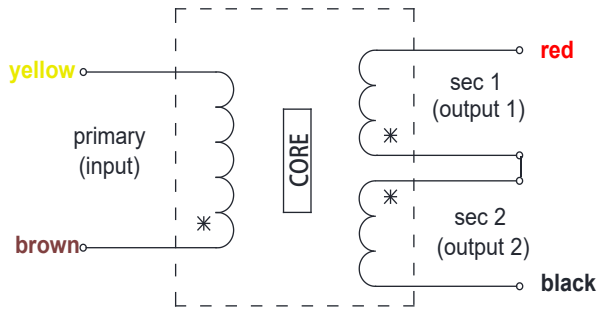
Parameters	Specifications
Input voltage:	1-9V AC, 3V rms (rated) 2.5
Input frequency:	2.5kHz (rated)
Linearity error:	<±0.5% or 1%(Full stroke)
Repeatability:	<0.01% (Full stroke)
Hysteresis Error:	<0.01% (Full stroke)
Working temperature:	-200°C to +400°C
Thermal Coefficient:	-0.02%/°C (rated)
Working pressure:	20MPa

Dimensions

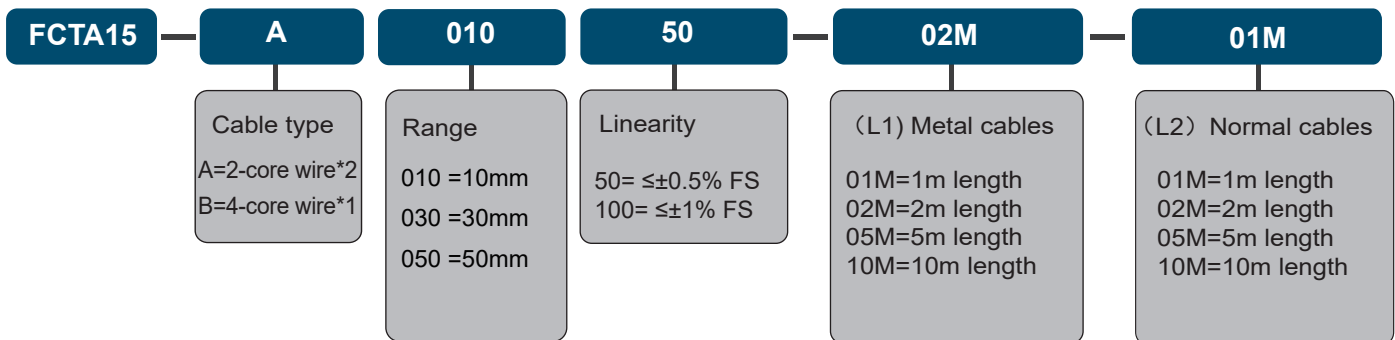


Parameter	Range		Body length "A"	Core length "B"	Core position "C"	Sensitivity
range code	mm		mm	mm	mm	mV/V/mm
010	±5	0-10	109	42	30	30
030	±15	0-30	133	50	50	16
050	±25	0-50	192	76.2	80	14

Wiring Connection



Ordering Guide



Contact us

Contact us for technical consultation or customization requests.

Tel: 400-013-6886

Tel: 010-51660768

Fax: 010-80766992

Email: info@abeksensors.com

Website: www.bjabek.com

ABEK SENSORS is a registered trademark. All specifications subject to change without notice.

Copyright ©2017 -ABEK SENSORS