

SCAC-05S

LVDT-RVDT Signal Conditioner

Features:

- DIN35 Rail Mount
- Potentiometer Calibration
- DC current or voltage output
- Supports standard LVDT/RVDT sensors
- Available for LVDT with 4/5/6 wires

Applications:

- LVDT
- RVDT
- Power Plant
- Chemical Engineering



The SCAC-05S single-channel signal conditioner from Abek Sensor is a universal signal processing module specifically designed for standard LVDT/RVDT position sensors. Its wide 10-30V DC power supply range makes it particularly suitable for common industrial applications, and compatible with 24V DC PLCs and data acquisition systems.

The module features a DIN 35mm rail-mount housing with integrated 4-color coded terminals, clearly distinguishing functional zones such as power supply, input, and output. This design effectively prevents wiring errors while enhancing installation efficiency and reliability. All wiring and calibration can be completed just by a single screwdriver. Independent zero and full-scale adjustment potentiometers on the front panel enable rapid and precise field calibration.

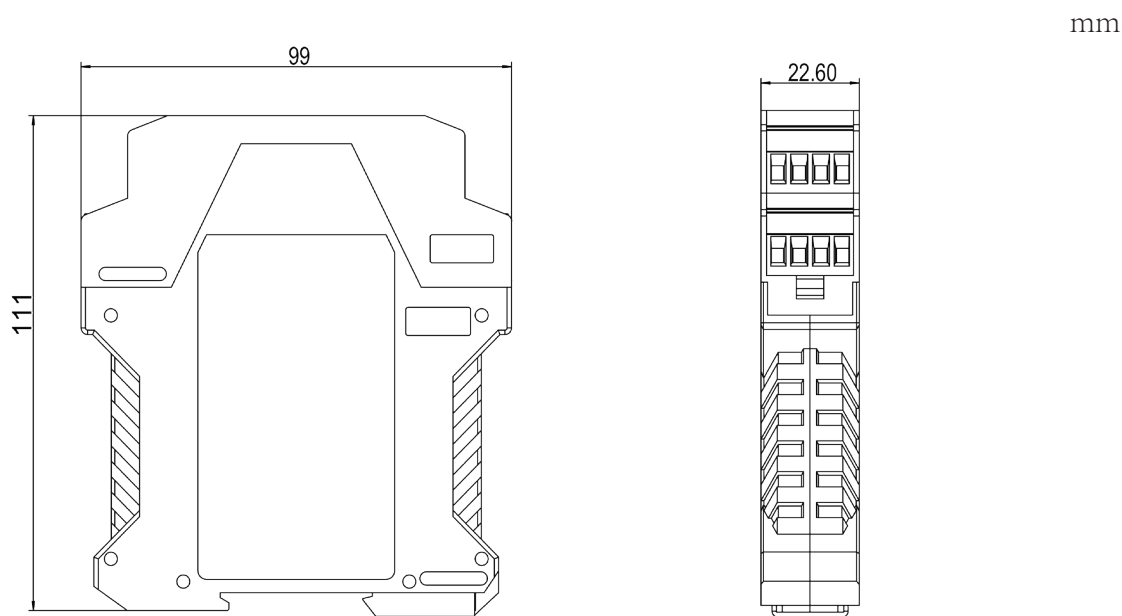
The internal core utilizes a dedicated integrated circuit to generate a high-precision, low-distortion sine wave excitation signal for the sensor. Through synchronous demodulation technology, it converts the sensor's AC output into a stable, linear DC signal in real time. With a response frequency reaching up to 1000Hz, it accurately captures rapid dynamic displacement.

The SCAC-05S integrates error-proofing design, convenient debugging, wide frequency response, and high reliability, making it an ideal signal conditioning solution for precise position measurement and closed-loop control in industrial automation.

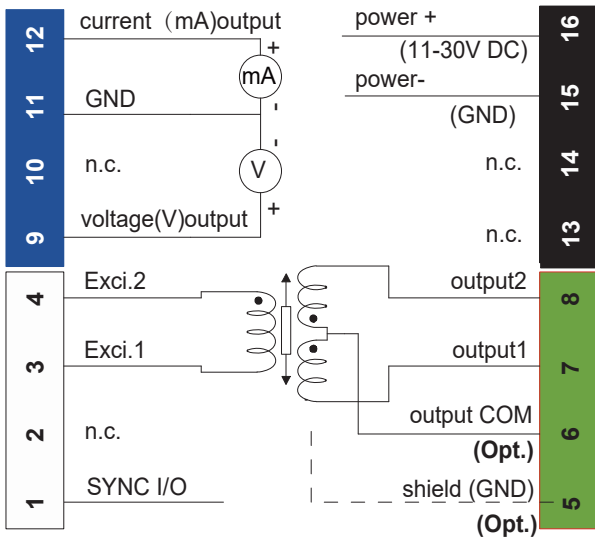
General Specifications

Parameter	Specification
Input voltage	10-30V DC, 24V rms (nominal),90mA(max)
LVDT Excitation Voltage:	1.5V、 3V AC
LVDT Excitation Frequency:	2.5kHz、 5kHz、 10kHz
Input sensitivity range:	55mV to 5.5V Full-stroke Output
Output type:	0-5V / 0-10V / \pm 5V / 4-20mA
Output bandwidth:	250Hz、 1000Hz
Operation Temperature:	-20°C to 85°C
Noise and Ripple:	Voltage output: 5mV RMS / Current output: 20uA RMS

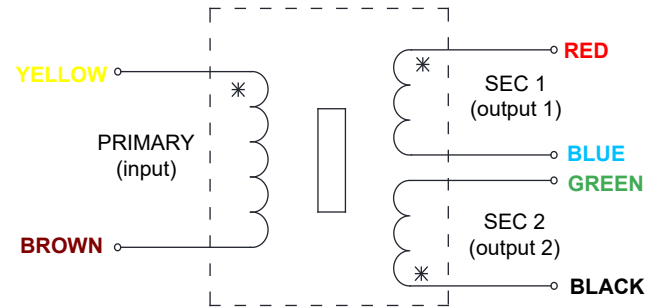
Dimension



Wiring Connection



LVDT Connection



Connect **BLUE** & **GREEN** for differential output.

Contact us

Contact us for technical consultation or customization requests. TEL: 400-013-6886

TEL: 010-51660768

FAX: 010-80766992

EMAIL: info@abeksensors.com

WEB: www.bjabek.com

ABEK SENSORS is a registered trademark. We reserve the right to change the specifications of our products.

Copyright ©2017 -ABEK SENSORS