

FHTA19 series

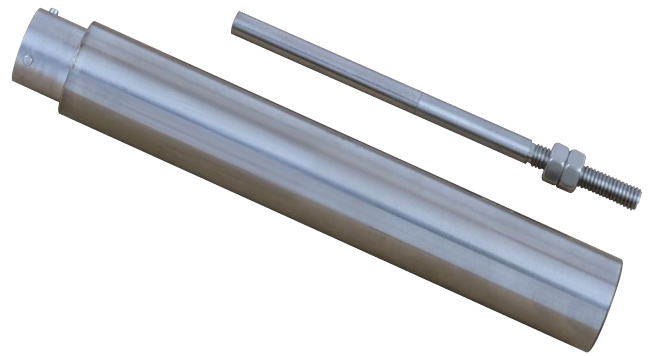
High temperature 200°C LVDT

ABEK FHTA19 series high temperature sealed AC LVDT displacement sensors are widely used in a variety of position measurement applications. This series is produced with special materials and processes, and can work stably at high temperatures up to 200°C.

The FHTA19 series sensors are available in ranges from 1mm to 500mm and are characterized by high resolution, good repeatability and low latency.

The FHTA19 series is available in a variety of specifications, and in addition to the options already provided in the selection chart, can be customized to meet customer requirements, which including resistance to nuclear radiation, Teflon core liner, thread size, wire outlet, connector type, and other mechanical construction needs.

In order to facilitate the actual application of the customer, we also supply accessories to match the sensor, ie. the related mounting fixture, signal processing equipment, cables and other accessories information. Please contact us for technical consultation or customization requests.



● Features

Range: $\pm 3 \sim \pm 250$ mm

Max. temperature: 200°C

Linearity: $\leq \pm 0.25\%、0.1\%$ (FS)

Aviation connector

Sealing class: IEC IP-68

AC excitation: 400Hz-5kHz

● Applications

Scraper position feedback

Hydraulic cylinder positioning

Steam valve positioning

Power generation

Other applications for harsh environments

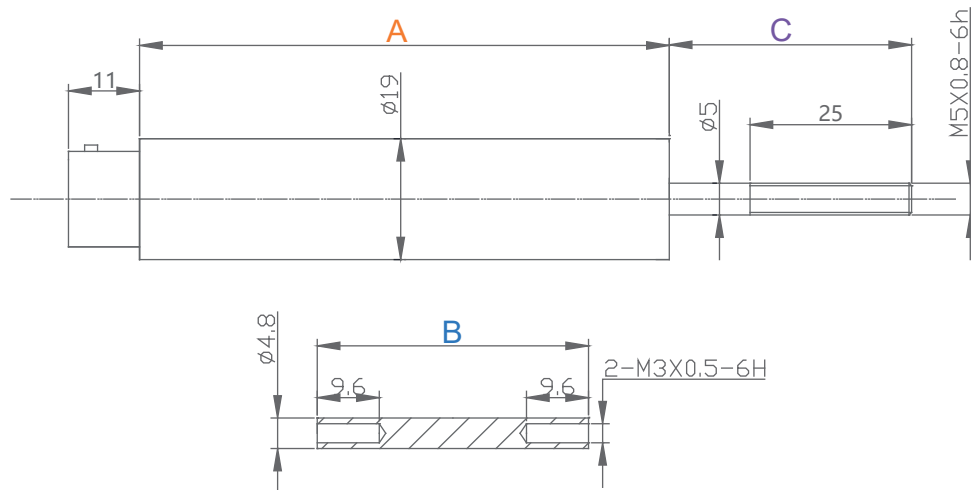
Standards and Documentation

GJB 150A-2009	Laboratory enviro methods for military material
JJF 1305-2011	Calibration specification for linear displacement sensors
GJB 8350-2015	General specification for linear displacement sensors

● General Specifications

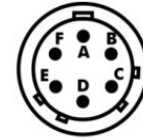
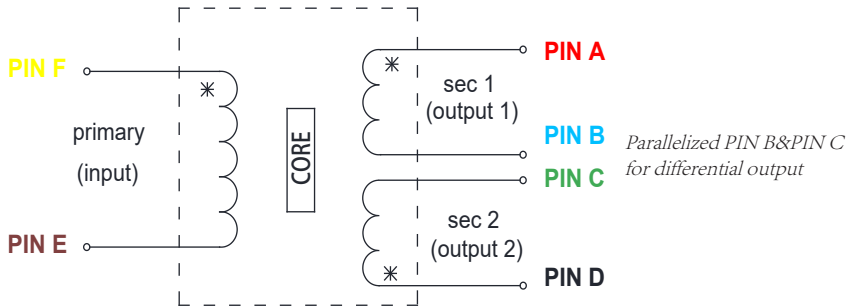
Parameters	Descriptions
Input voltage	3Vms, ±10% (rated)
Input frequency	2.5 to 3.0 kHz
Linearity error	< ±0.25% of FRO
Repeatability error	< 0.01% of FSO
Hysteresis error	< 0.01% of FSO
Operating temperature	-55°C to +200°C
Thermal coefficient	-0.02%/°C (rated)
Vibration resistance	20g, 2 K Hz

● Dimensions



Parameters	Model	FHTA19-000625	FHTA19-001325	FHTA19-0025	FHTA19-005025	FHTA19-010025	FHTA19-015025	FHTA19-020025	FHTA19-025025	FHTA19-030025	FHTA19-040025	FHTA19-050025
Range	mm	±3	±6.5	±12.5	±25	±50	±75	±100	±125	±150	±200	±250
Dimension "A"	mm	68	82	148	187	277	346	411	474	501	626	804
Dimension "B"	mm	32	42	87.7	87.7	134.5	157.4	157.4	157.4	157.4	178	241
Dimension "C"	mm	39	38	67	93	106	135	159	278	266	285	388
Sensitivity	mV/V/mm	90	80	25	24	15	9.8	6.7	4.9	4.5	4.3	2.8
Primary impedance	Ω	≥325	≥1400	≥1200	≥1250	≥2150	≥2150	≥420	≥600	≥600	≥775	≥620

Wiring Information



PT02A-10-6P
Connector

PIN	COLOR
Pin A	RED
Pin B	BLUE
Pin C	GREEN
Pin D	BLACK
Pin E	BROWN
Pin F	YELLOW

Selection Guide

Range	Model	Part No.
± 3mm LVDT	FHNA19-000625	0356-0021
± 6.5mm LVDT	FHNA19-001325	0356-0022
± 12.5mm LVDT	FHNA19-002525	0356-0023
± 25mm LVDT	FHNA19-005025	0356-0024
± 50mm LVDT	FHNA19-010025	0356-0025
± 75mm LVDT	FHNA19-015025	0356-0026

Range	Model	Part No.
± 100mm LVDT	FHNA19-020025	0356-0027
± 125mm LVDT	FHNA19-025025	0356-0028
± 150mm LVDT	FHNA19-030025	0356-0029
± 200mm LVDT	FHNA19-040025	0356-0030
± 250mm LVDT	FHNA19-050025	0356-0031

Options

Inch Threaded Cores	Full ranges	XXXX-XXXX-005
Teflon anti-friction bushing	Full ranges	XXXX-XXXX-020
Slightly nuclear radiation resistant	Full ranges	XXXX-XXXX-080

For example: ±100mmLVDT, inch threaded, Teflon anti-friction bushing.
Part No.: 0356-0027-025

Accessories

Part No.	Part name	Specification	Description	Remarks
0356-TC6-0001	High-temperature cable assemblies	TC-6-2M	PT06A+HT 6 core cable, orange cable, length 2m	standard
0356-TC6-0002	High-temperature cable assemblies	TC-6-5M	PT06A+HT 6 core cable, orange cable, length 5m	optional
0356-TC6-0003	High-temperature cable assemblies	TC-6-10M	PT06A+HT 6 core cable, orange cable, length 10m	optional
20069388-4	Connector	PT06A-10-6S(SR)	Connector excl. cable	optional
0355-001	Mounting bracket	MTD-19	Mounting bracket for 19mm LVDT	optional

Contact us

Contact us for technical consultation or customization requests.

TEL: 400-013-6886

TEL: 010-51660768

FAX: 010-80766992

EMAIL: info@abekensors.com

WEB: www.bjabek.com

ABEK SENSORS is a registered trademark. We reserve the right to change the specifications of our products.

Copyright ©2017 -ABEK SENSORS