

# GHNV19 series

## Spring-loaded DC output LVDT

### Applications

Machine&tool

positioning

Hydraulic axis

positioning

Valve position

measurement

### Features

Range: 2 to 100mm

Power supply: 24V DC

DC current or voltage output

Linearity:  $\leq \pm 0.25\%$  FS, (0.1% optional)

In-Line Aviation Connector

Ingress Protection: IP 68



ABEK GHNV19 series spring loaded DC output LVDT position sensors are widely used in a variety of measurement applications. This series of sensors are laserwelded in a stainless steel housing, the coil is hermetically sealed, and the entire machine can reach IEC IP-68 protection rating, which are resistant to harsh environments and are suitable for a wide range of industrial applications.

This series LVDTs consist of a spring loaded shaft and connected to the inside core. The spring-loaded detector head is freely retractable and the spring force can be adjusted from 50g to 500g. The sensor head, standardized as AGD9, is made of hardened black tool steel and is interchangeable with other AGD heads.

The GHNV19 series LVDT has a built-in electronic module that retains the technical advantages of AC LVDTs (such as frictionless operation and high dynamic response) while combining ease of use and simplicity of construction. The DC output allows for easy use with PLCs, digital displays, A/D converters, PC-based data processors and QC data collection systems.

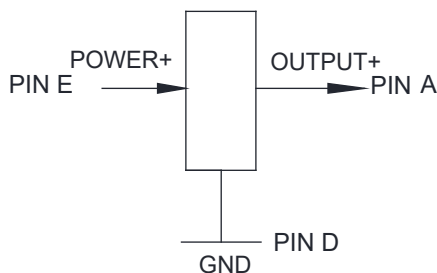
The GHNV19 series sensors are available in ranges from 2.5mm to 100mm and are characterized by high resolution, good repeatability and low latency.

## General Specifications

Parameters	Specifications
Power Supply:	10-30V DC, 24V (Rated Value)
Output Type:	0-5V、0-10V、4-20mA DC
Linearity Error:	<±0.25% of FSO, <0.1% (Optional)
Repeatability Error:	<0.6um
Hysteresis Error:	<0.01% of FSO
Operating Temperature:	-20°C to +85°C
Thermal Coefficient:	-0.02%/ °C (Rated Value)

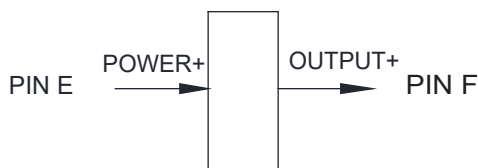
## Electrical Connection

### 3-wire DC output

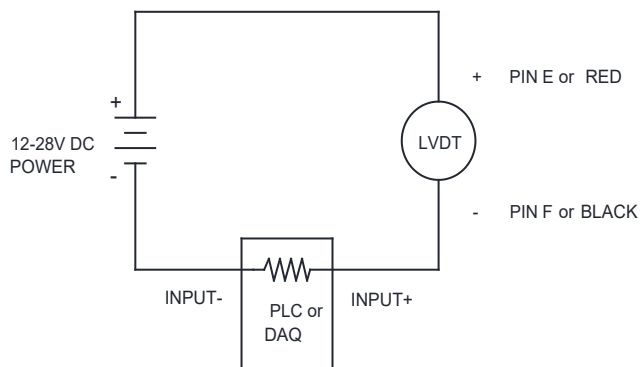


PIN wire color  
Pin A **YELLOW**  
Pin D **BLACK**  
Pin E **RED**

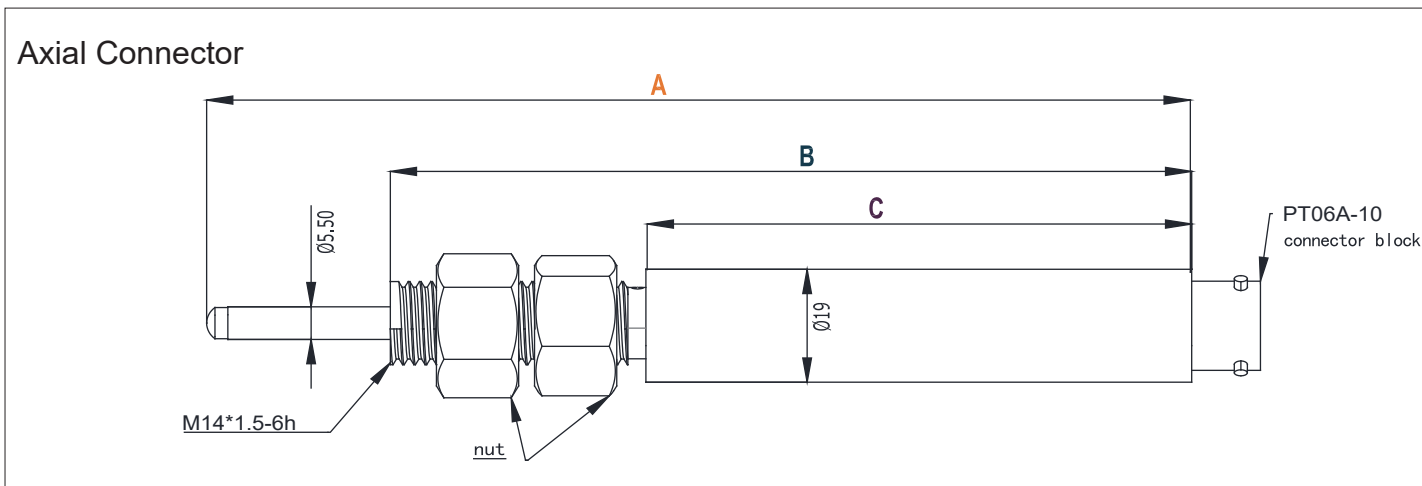
### 2-wire Current output



PIN wire color  
Pin E **RED**  
Pin F **BLACK**

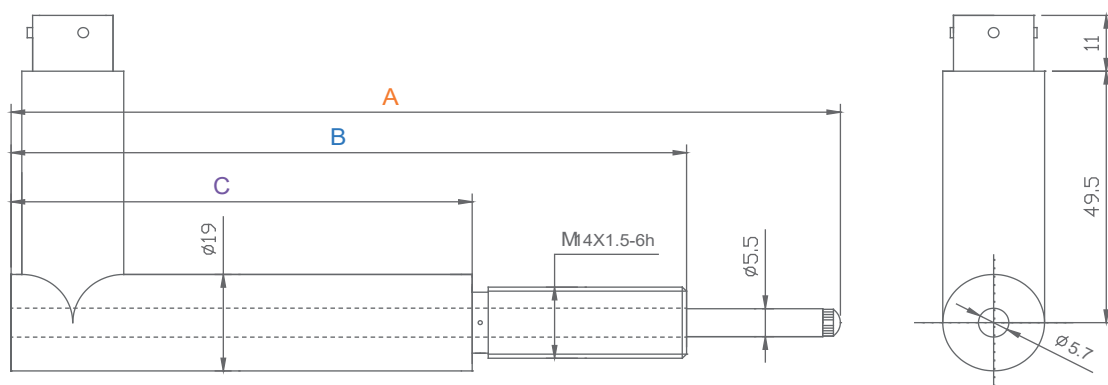


## Dimensions



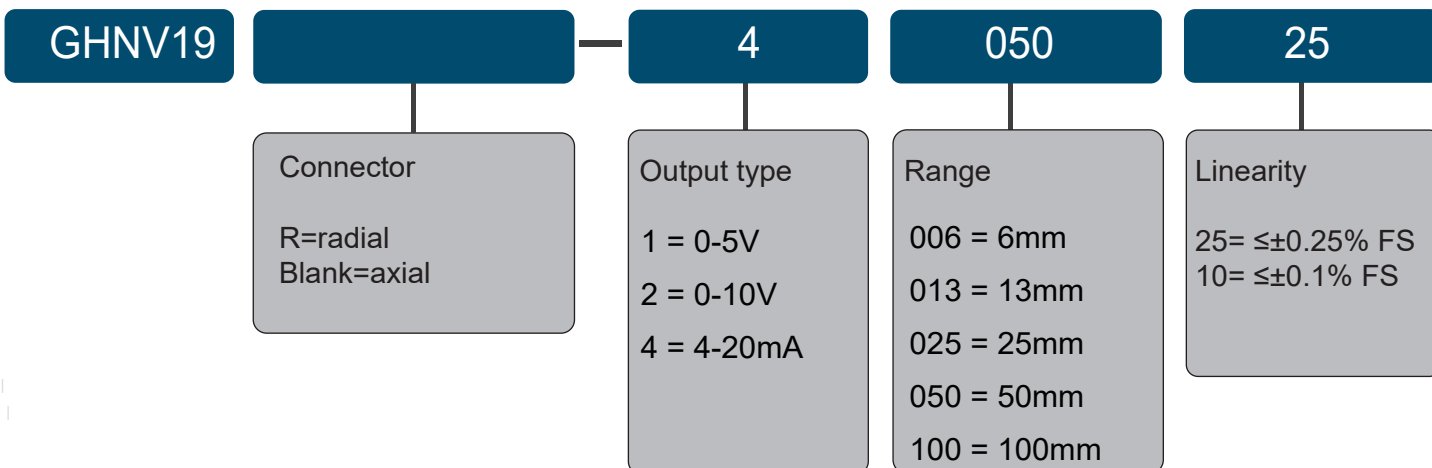
Parameter	Range Code	006	013	025	050	100
Range	mm	6	13	25	50	100
Dimension "A"	mm	176.7	191.7	308	373.7	579.7
Dimension "B"	mm	148	163	270	310	459
Dimension "C"	mm	108	123	190	230	320
Pretravel	mm	3.3	4.5	1	0.85	2.0

## Radial Connector



Parameter	Range Code	006	013	025	050	100
Range	mm	6	13	25	50	100
Dimension "A"	mm	136.7	154.7	273	336.7	538.7
Dimension "B"	mm	108	126	235	273	418
Dimension "C"	mm	68	86	155	193	279
Pretravel	mm	5.5	4.5	1	0.85	2.0

## Ordering Guide



## Accessories

P/N	Part Name	Model	Description
0356-C4-0001	ST connector&cable	C-4-2M	PT06A+Green Sheathed Cable, 4-core, 2m
0356-C4-0002	ST connector&cable	C-4-5M	PT06A+Green Sheathed Cable, 4-core, 5m
0356-C4-0003	ST connector&cable	C-4-10M	PT06A+Green Sheathed Cable, 4-core, 10m
20069388-4	Connector	PT06A-10-6S(SR)	without cable
0355-001	Mounting Bracket	MTD-19	for body diameter 19mm LVDT

## Contact us

Contact us for technical consultation or customization requests.

Tel: 400-013-6886

Tel: 010-51660768

Fax: 010-80766992

Email: [info@abeksensors.com](mailto:info@abeksensors.com)

Website: [www.bjabek.com](http://www.bjabek.com)

ABEK SENSORS is a registered trademark.  
All specifications subject to change without notice.  
Copyright ©2017 -ABEK SENSORS