

FCKA19

Vacuum|Cryogenic Resistant LVDT

Features:

Diameter: 19mm
Range: $\pm 1.25\text{mm}$ to $\pm 250\text{mm}$
Operating Temp.: -210°C to $+200^{\circ}\text{C}$
Stainless Steel Housing
Protection Rating: ICE IP61

Applications:

Machine & Tool positioning
Packing machine
Extensometer
Valve position feedback
Manipulator positioning
Hydraulic shaft positioning
Weighing
Automatic production line



The FCKA19 series of cryogenic LVDT position sensors from ABEK SENSORS are suitable for applications in low temperature environments such as liquid nitrogen, liquid helium, vacuum, etc.

The FCKA19 position sensors have excellent performance such as high resolution, good repeatability, low impedance, high sensitivity, good linearity, environmental adaptability and reliability. The maximum linear error is NMT $\pm 0.25\%$ FS.

The FCKA19 series is available in a variety of specifications, and in addition to the options already provided in the selection chart, can be customized to meet customer requirements, which including thread size, spring-loaded, wire outlet or other mechanical construction needs, and high-pressure resistant, high-temperature resistant, radiation resistant or other adaptive designs for special applications.

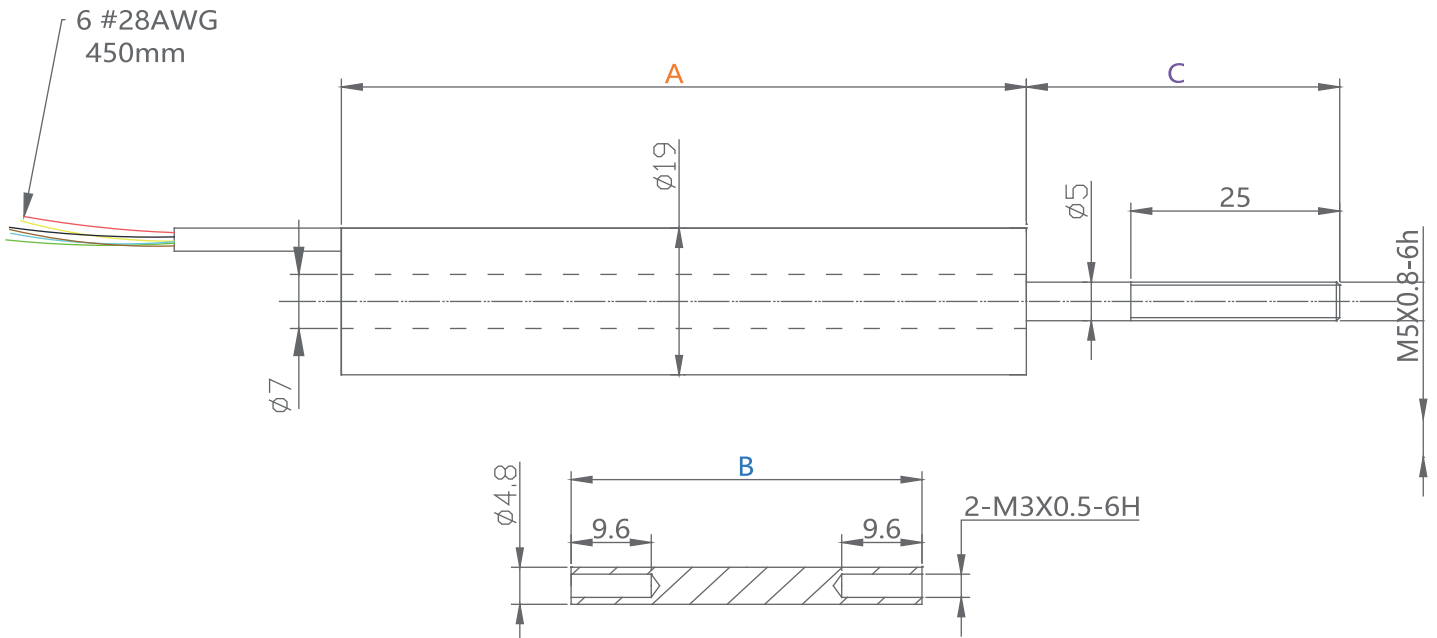
Standards and Documentation

GJB 150A-2009	Laboratory environmental methods for military material
JJF 1305-2011	Calibration specification for linear displacement sensors
GJB 8350-2015	General specification for linear displacement sensors

General Specifications

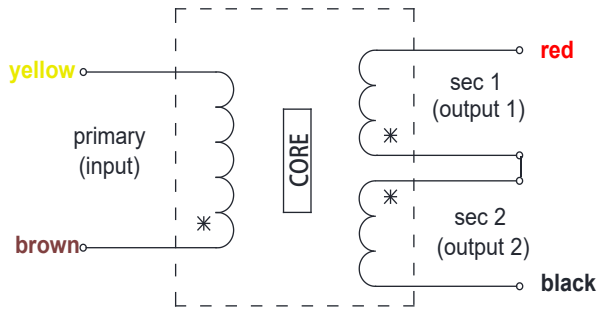
Parameters	Specifications
Input voltage	1-9V AC, 3V rms (rated)
Input frequency	2.5 kHz (rated)
Linearity error	<±0.25% (full stroke)
Repeatability error	<0.01% (full stroke)
Hysteresis error	<0.01% (full stroke)
Operating temperature	-210°C to +200°C
Thermal coefficient	-0.02%/°C (rated)
Vibration resistance	20g, 2 kHz

Dimensions



Parameters	Model	FCKA19 -000625	FCKA19 -001325	FCKA19 -002525	FCKA19 -005025	FCKA19 -010025	FCKA19 -015025	FCKA19 -020025	FCKA19 025025	FCKA19 -030025	FCKA19 -040025	FCKA19 -050025
Range	mm	±3	±6.5	±12.5	±25	±50	±75	±100	±125	±150	±200	±250
Body length "A"	mm	49	67	127	163	259	319	391	451	487	607	775
Core length "B"	mm	32	42	87.7	87.7	134.5	157.4	157.4	157.4	157.4	178	241
Core position "C"	mm	41.5	37.5	67	93	103	139	163	283.5	165.5	335.5	393
Sensitivity	mV/V/mm	90	80	25	24	15	9.8	6.7	4.9	4.5	4.3	3.1
Primary impedance	Ω	≥325	≥1400	≥1200	≥1250	≥2150	≥2150	≥420	≥600	≥600	≥775	≥620

● Wiring Information



● Contact us

Contact us for technical consultation or customization requests.

Tel: 400-013-6886

Tel: 010-51660768

Fax: 010-80766992

Email: info@abeksensors.com

Homepage: www.bjabek.com

ABEK SENSORS is a registered trademark. We reserve the right to change the specifications of our products.

Copyright ©2017 -ABEK SENSORS